

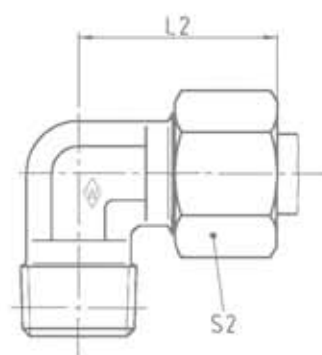
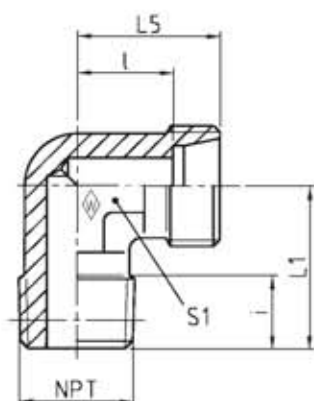


## WES ..... NPT

Stud thread: NPT (ANSI/ASME B1.20.1-1983)

Einschraubgewinde: NPT (ANSI/ASME B1.20.1-1983)

Filetage mâle: NPT (ANSI/ASME B1.20.1-1983)



Series	bar	Tube OD	Type	Reference	kg per 100 pcs.								
Reihe	PN	Rohr-AD	Typ	Best.-Nr.	kg per 100 St.								
Série	(psi)	Tube Ø ext.	Désignation	Réf.	kg par 100 p.								
			NPT			L <sub>1</sub>	L <sub>2</sub>	L <sub>5</sub>	l	i	S <sub>1</sub>	S <sub>2</sub>	
LL	100 (1450)	4	1/8 NPT	<b>WES 4 LL/ 1/8 NPT</b>	<b>037670</b>		17	21	15	11	10	9	10
		6	1/8 NPT	<b>WES 6 LL/ 1/8 NPT</b>	<b>037672</b>		17	21	15	9,5	10	9	12
		8	1/8 NPT	<b>WES 8 LL/ 1/8 NPT</b>	<b>037673</b>		20	23	17	11,5	10	12	14
L	250 (3626)	6	1/8 NPT	<b>WES 6 L/ 1/8 NPT</b>	<b>037674</b>		20	27	19	12	10	12	14
		8	1/4 NPT	<b>WES 8 L/ 1/4 NPT</b>	<b>037675</b>		26	29	21	14	15	12	17
	10	1/4 NPT	<b>WES 10 L/ 1/4 NPT</b>	<b>037676</b>		27	30	22	15	15	14	19	
	12	1/4 NPT	<b>WES 12 L/ 1/4 NPT</b>	<b>037677</b>		28	32	24	17	15	17	22	
	12	3/8 NPT	<b>WES 12 L/ 3/8 NPT</b>	<b>037678</b>		28	32	24	17	15	17	22	
	15	1/2 NPT	<b>WES 15 L/ 1/2 NPT</b>	<b>037679</b>	8,8	34	36	28	21	14	19	27	
160 (2321)	18	1/2 NPT	<b>WES 18 L/ 1/2 NPT</b>	<b>037680</b>	13,1	36	40	31	23,5	20	24	32	
	22	3/4 NPT	<b>WES 22 L/ 3/4 NPT</b>	<b>037681</b>	14,9	42	44	35	27,5	20	27	36	
100 (1450)	28	1 NPT	<b>WES 28 L/1 NPT</b>	<b>037682</b>	28,3	48	47	38	30,5	23	36	41	
S	630 (9137)	6	1/4 NPT	<b>WES 6 S/ 1/4 NPT</b>	<b>037685</b>		26	31	23	16	15	12	17
		8	1/4 NPT	<b>WES 8 S/ 1/4 NPT</b>	<b>037686</b>		27	32	24	17	15	14	19
	10	3/8 NPT	<b>WES 10 S/ 3/8 NPT</b>	<b>037687</b>		28	34	25	17,5	15	17	22	
	12	3/8 NPT	<b>WES 12 S/ 3/8 NPT</b>	<b>037688</b>		28	38	29	21,5	15	17	24	
	14	1/2 NPT	<b>WES 14 S/ 1/2 NPT</b>	<b>037689</b>	10,3	33	40	30	22	15	19	27	
	400 (5801)	16	1/2 NPT	<b>WES 16 S/ 1/2 NPT</b>	<b>037690</b>	13,8	33	43	33	24,5	17	24	30
20	3/4 NPT	<b>WES 20 S/ 3/4 NPT</b>	<b>037691</b>	19,7	42	48	37	26,5	20	27	36		
25	1 NPT	<b>WES 25 S/1 NPT</b>	<b>037692</b>	36,0	48	54	42	30	23	36	46		

L<sub>2</sub> = approximate length with nut tightened  
L<sub>2</sub> = Ungefährmaß bei angezogener Überwurfmutter  
L<sub>2</sub> = longueur approximative, l'écrou étant bloqué